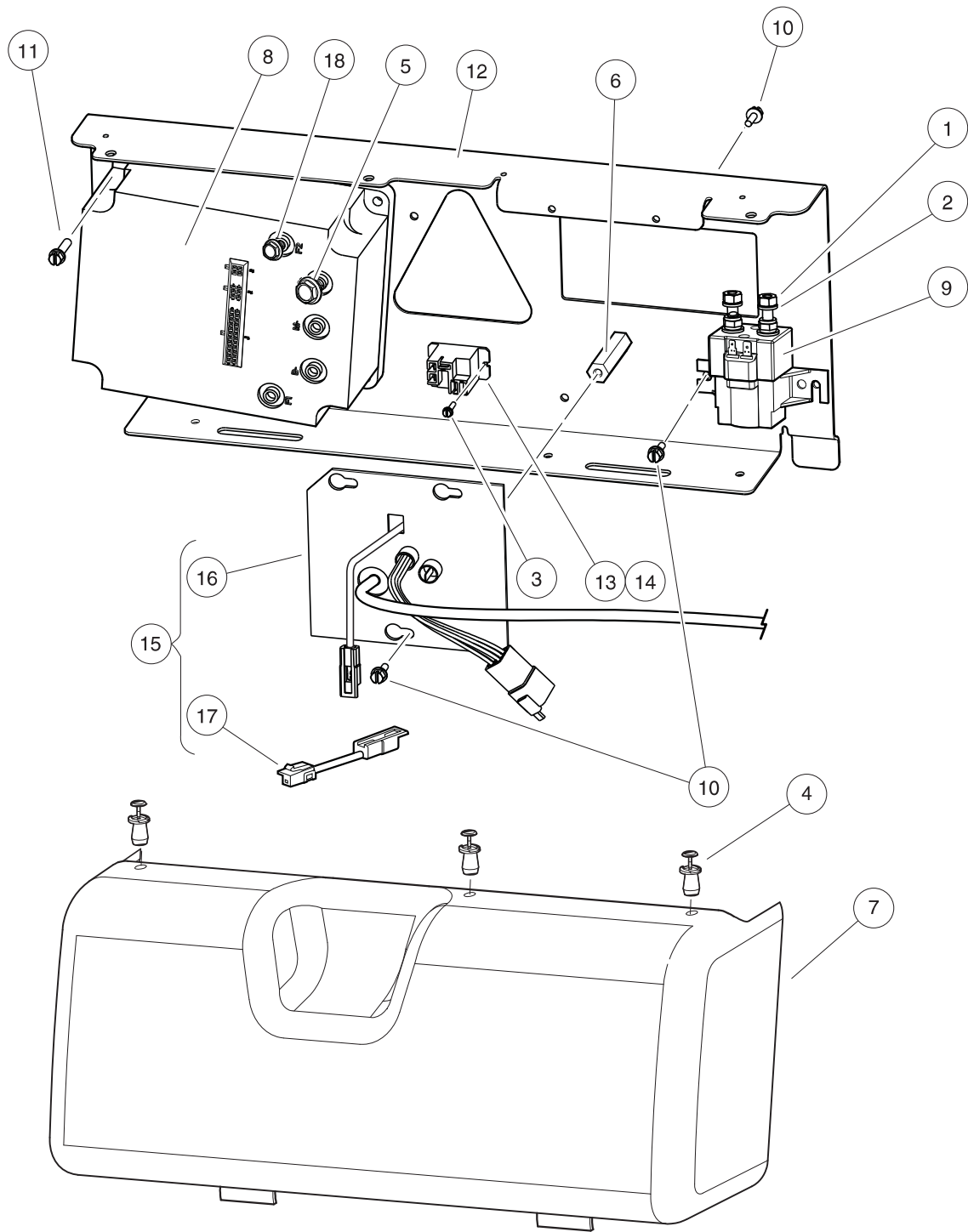


13

E



001246-004

COMPUTER, CONTROLLER, AND SOLENOID – FOR TROJAN BATTERIES

| ITEM | PART NO. | DESCRIPTION | QTY |
|------|-----------|--|-----|
| | | 1 2 3 4 | |
| 1 | 1012528 | Nut, M8-1.25 Hex | 2 |
| 2 | 1013734 | Lockwasher, 8mm Split | 2 |
| 3 | 1015720 | Screw, #6-32 X 1/2 Hex Washer-Head | 2 |
| 4 | 1016967 | Blind Rivet, Push Type | 3 |
| 5 | 102240501 | Bolt, Controller, Terminal | 3 |
| 6 | 102769701 | Spacer, 2", 1/4-20, Hex | 1 |
| 7 | 102772402 | Cover, Electrical Component, Carryall 6 | 1 |
| 8 | 102774501 | Controller, 500 Amp | 1 |
| 9 | 102774701 | Solenoid, 48v | 1 |
| 10 | 102817101 | Screw, 1/4-20 X .50 Hex Wsh Hd | 6 |
| 11 | 102817201 | Screw, 1/4-20 X .88 Hex Wsh Hd | 4 |
| 12 | 102912801 | Plate, Component, Front | 1 |
| 13 | 103414901 | Kit, Relay, 48v 30a W/instr (includes item 14) | 1 |
| 14 | 103397901 | Relay, Spst No, 48v 30a, Pmt | 1 |
| 15 | 103697109 | Kit, Obc, Iqplus, A1, 64" (includes items 16 and 17) | 1 |
| 16 | 103709201 | Obc, Iqplus, A1, 64", 480 | 1 |
| 17 | 103822101 | Adapter, 480 Obc To 56 Harn | 1 |
| 18 | 105000501 | Screw, M6 X 1 X 12 Ser Hex Flg | 2 |

13

E