

Isolated Type 300W DC-DC Converter

Input: 48V / 60V / 72V

Output: 12V or 24V

Separated Input / Output Connectors



Specifications:

1. Nominal input voltage:
 - a) 48V (36-60V)
 - b) 60V (48-72V)
 - c) 72V (60-84V)
2. Output voltage: 12V±5% or 24V±5%
3. Max output current: 25A @ 12V / 12.5A @24 V
4. Load factor: 82%
5. Electrical isolation to heatsink (min.): 500 V AC
6. Self-protections available:
 - a) DC power poles reverse connection protected
 - b) Over-current protection (internal fuse)
 - c) Shortcut protection
 - d) Over-voltage & low-voltage protection (auto recover)
 - e) Overheat protection (auto recover)

NOCO SHOP

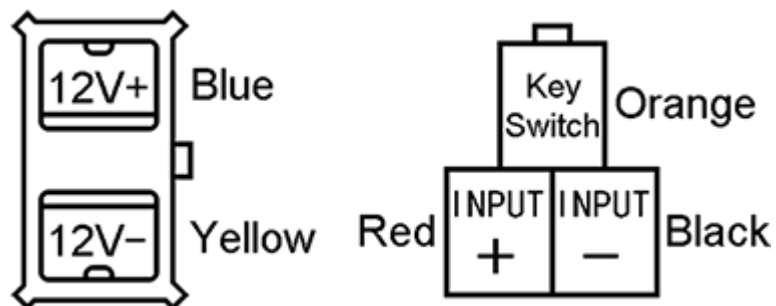
Website: <https://www.noco-ev.com/> - Email: info@noco-ev.com

7. Separated input and output connectors, mating connectors included
8. Operating ambient temperature range: -20°C to 50°C
9. Storage ambient temperature range: -40°C to 85°C

10. Dimensions:

- a) Body: L180 mm x W140 mm x H64 mm
- b) Installation (between holes): L120 mm x W130 mm
- c) Installation hole diameter: Ø8 mm

Wiring diagram:



- 2-Pin 7.8mm Connector: Model DJ7021-7.8-21, size 29.5 x 15.9 x 16.4 mm
- 3-Pin 6.3mm Connector: Model DJ7031-6.3-11, size 28.5 x 22.5 x 16.5 mm

