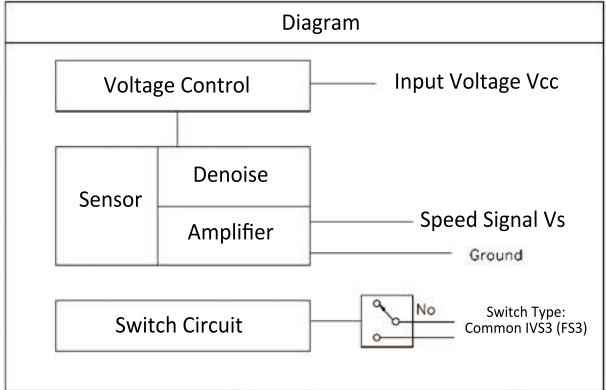
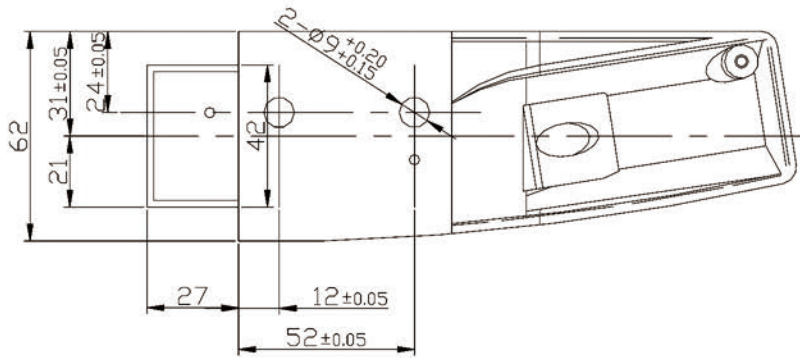
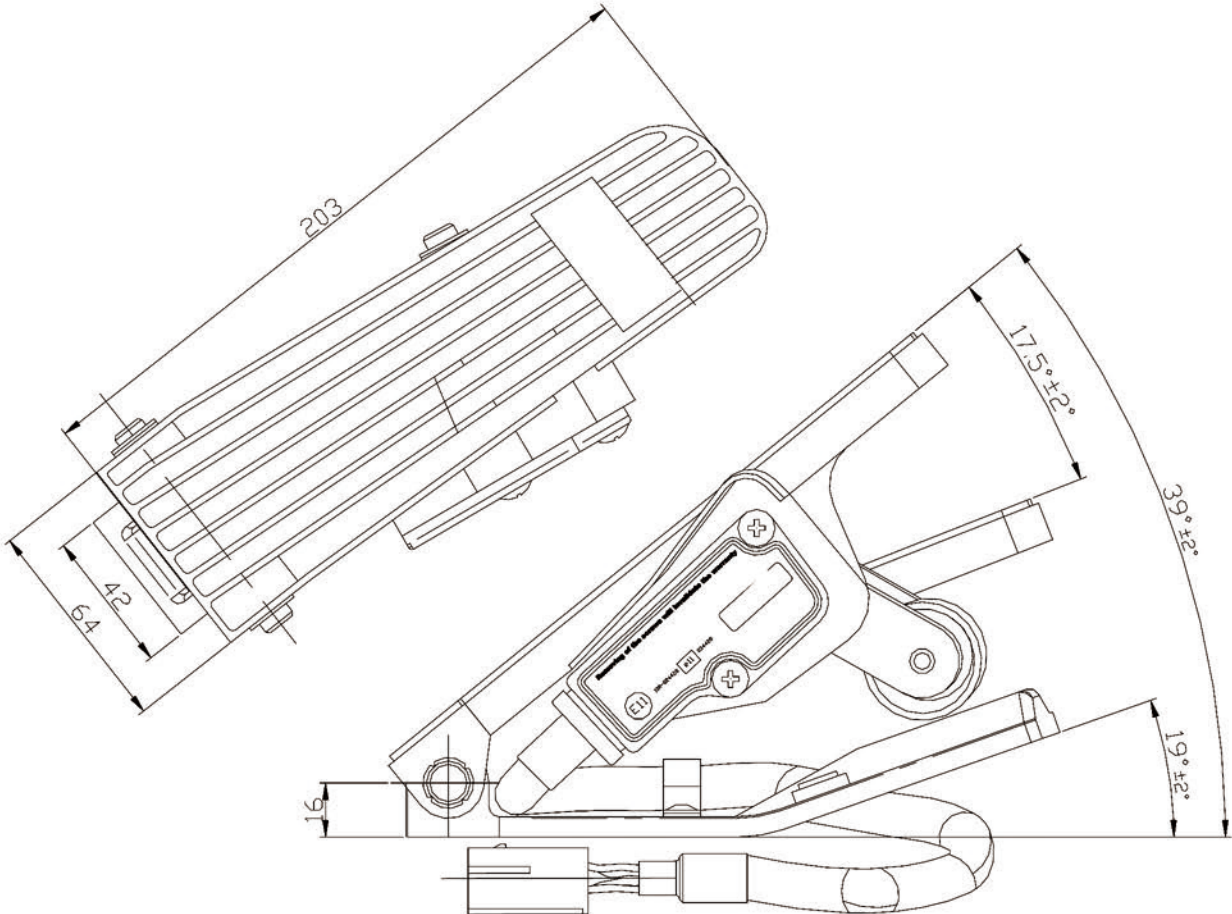


SPECIFICATION

- Model: HXJS-4805
- Working Voltage: 36 - 80 Vdc \pm 2%
- Working Current: 15mA (Max. 20mA)
- Pedal Rotating Range: 17.5° \pm 2°
- Speed Signal Output: 0.2V - 4.9V \pm 0.1
- Throttle Switch Current Limit: 1A@30Vdc
- Max. Switch-On Current: 1A
- Max. Voltage on Switch: 125Vac, 110Vdc
- Switch Normal Status: Normal Open (NO)
- Working Temperature: -40°C - +85°C
- Storage Temperature: -40°C - +105°C



Number	Wiring Function	Wire Color
1	Power "++" (36-80VDC)	Red
2	Throttle Signal Out (0.2-4.9V)	Green
3	Throttle Signal Ground (Power "-")	Black
4	Throttle Switch In	Yellow
5	Throttle Switch Out	Blue
6	Not Used	

Manufacturer Part Number: AMP203007
Mating Connector MPN: AMP203005

						Foot Pedal Throttle			HXJS-4805		
标记	处数	分区	更改文件号	签名	年月日	阶段标记	重量	比例			
设计			标准化								
审核											
工艺			批准			共 1 页第 1 张					