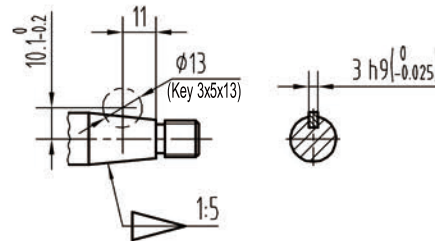
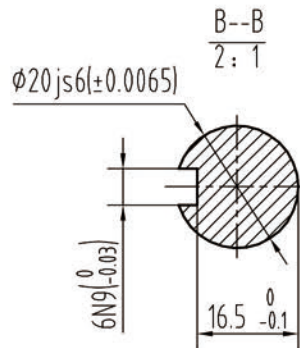
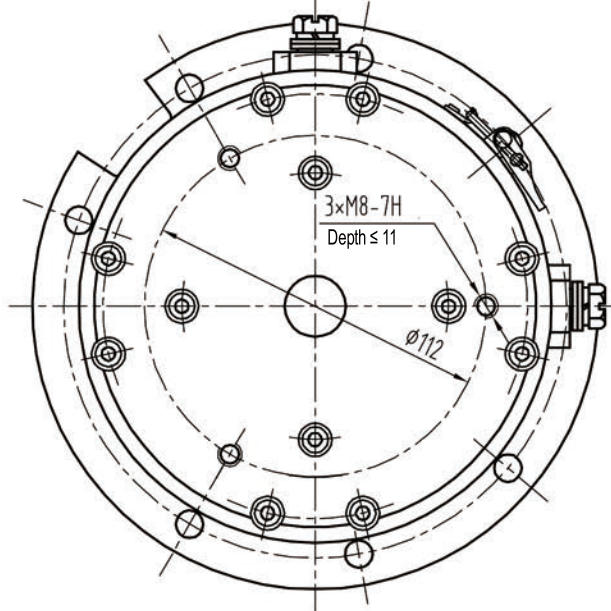


“O” Seal Ring: 65x2.65  
Standard: GB3452.1-82

C Direction



Specifacaton:

Power Rate: 1.1kW      Duty: 60min  
Voltage: 24V              Exciting: SepEx  
Current: 60A              Field Current: 9A  
Insulation: Class F  
Ingress Protection: IP44  
Speed: 2100 rpm  
Max. Speed: 3200 rpm  
Standard: JB 5335-91  
Weight: 19.95kg



**XQ-1.1T-1 DC SepEx Motor**  
<https://www.noco-evco.com/>