

YEEDA POWER CONNECTOR

Model: Y-30

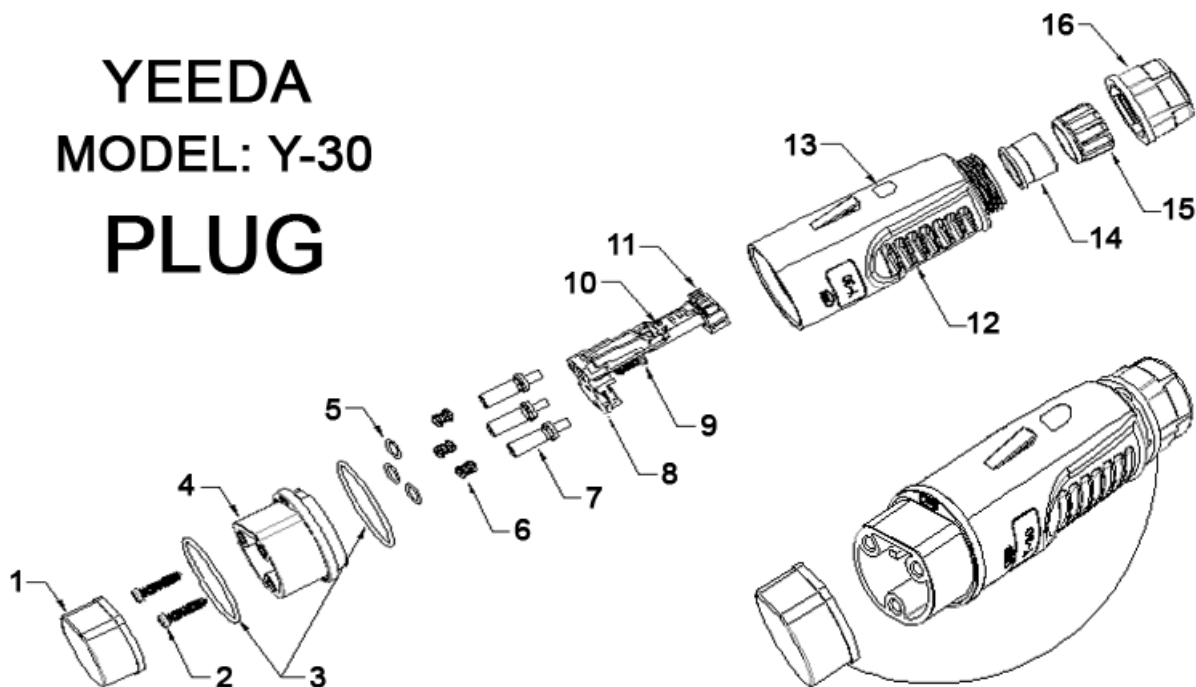
Overview:

Made with engineering level high-strength engineering plastic, YEEDA Y-30 power connectors offer excellent electrical performance, resistance to high / low temperature, anti-corrosion, suitable to harsh environment.

The ergonomic design of Y-30 facilitates the reliable, easy and safe operation of fast connection / disconnection.

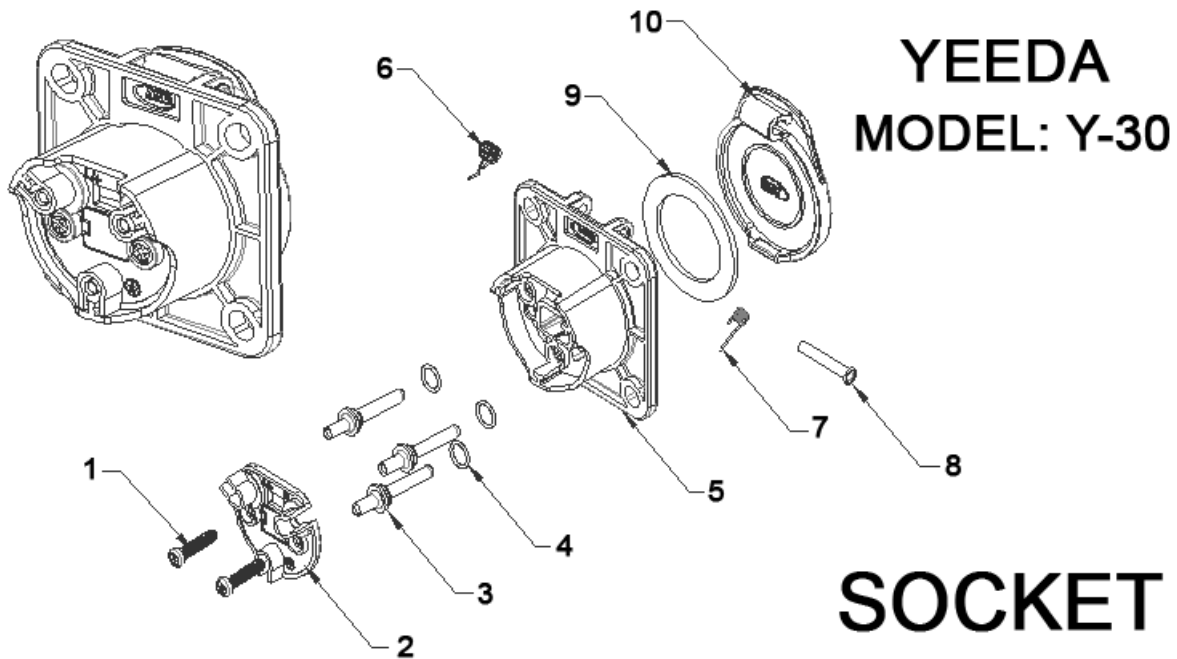
Typical application: battery charger AC and DC power connector

Construction:



YEEDA MODEL: Y-30 PLUG

- | | |
|-------------------------|-------------------------------|
| 1. Cover | 2. Screw |
| 3. Seal Ring | 4. Plug Head |
| 5. Contact Seal Ring | 6. Spring |
| 7. Contact Terminal | 8. Press Block |
| 9. Screw | 10. Wire Clip & LED Indicator |
| 11. Clamp buckle | 12. Handle |
| 13. LED Indicator Cover | 14. Wire Locker Rubber Head |
| 15. Wire Locker | 16. Wire Locker Screw Cover |



- | | |
|---------------------|----------------------|
| 1. Screw | 2. Press Block |
| 3. Contact Terminal | 4. Contact Seal Ring |
| 5. Socket Body | 6. Spring (right) |
| 7. Spring (left) | 8. Rivet |
| 9. Seal Ring | 10. Socket Cover |

Technical Features:

1. Operating temperature: $-30^{\circ}\text{C} \sim +50^{\circ}\text{C}$
2. Rated current: 16A
3. Rated voltage:
 - a) AC: 110V AC / 220V AC
 - b) DC: 12V DC / 24V DC / 36V DC / 48V DC / 72V DC
4. Insertion force: 20N~80N (not secured state)
5. Electric life: ≥ 10000
6. Degree of protection: IP54
7. Wiring method: crimp
8. Insulation resistance: $\geq 5\text{M}\Omega$
9. Contact resistance: $\leq 0.5\text{m}\Omega$
10. High voltage: 2000V
11. Flammability rating: UL94-V0
12. Plug cover wire rope pull strength: $\geq 100\text{N}$

Dimensions:

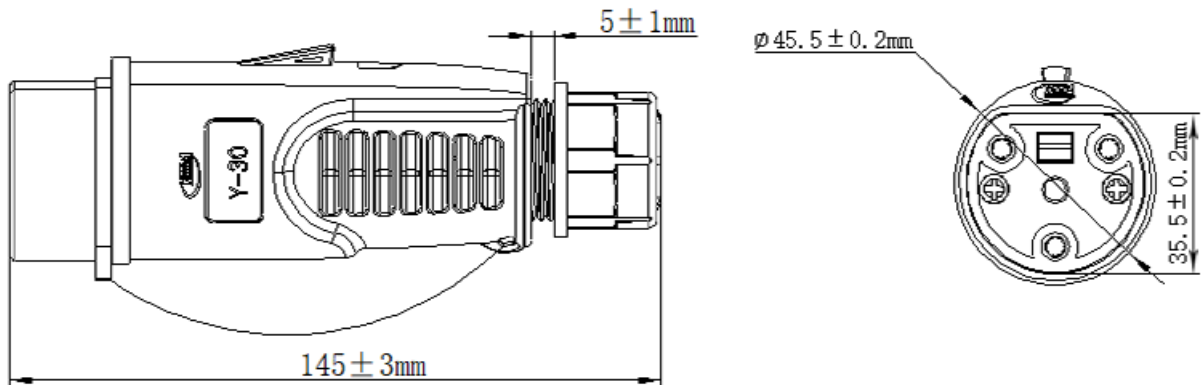


Figure 1 – Plug

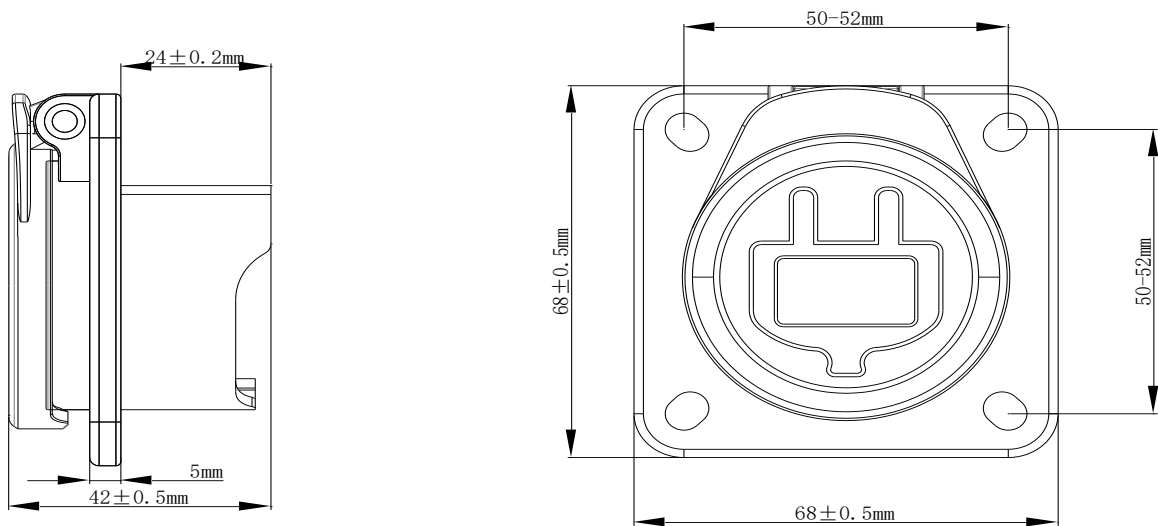


Figure 2 – Socket

NOCO SHOP



NOCO SHOP



NOCO SHOP

Website: <https://www.noco-evco.com/> - Email: info@noco-evco.com