

## YEEDA POWER CONNECTOR

### Model: Y-30

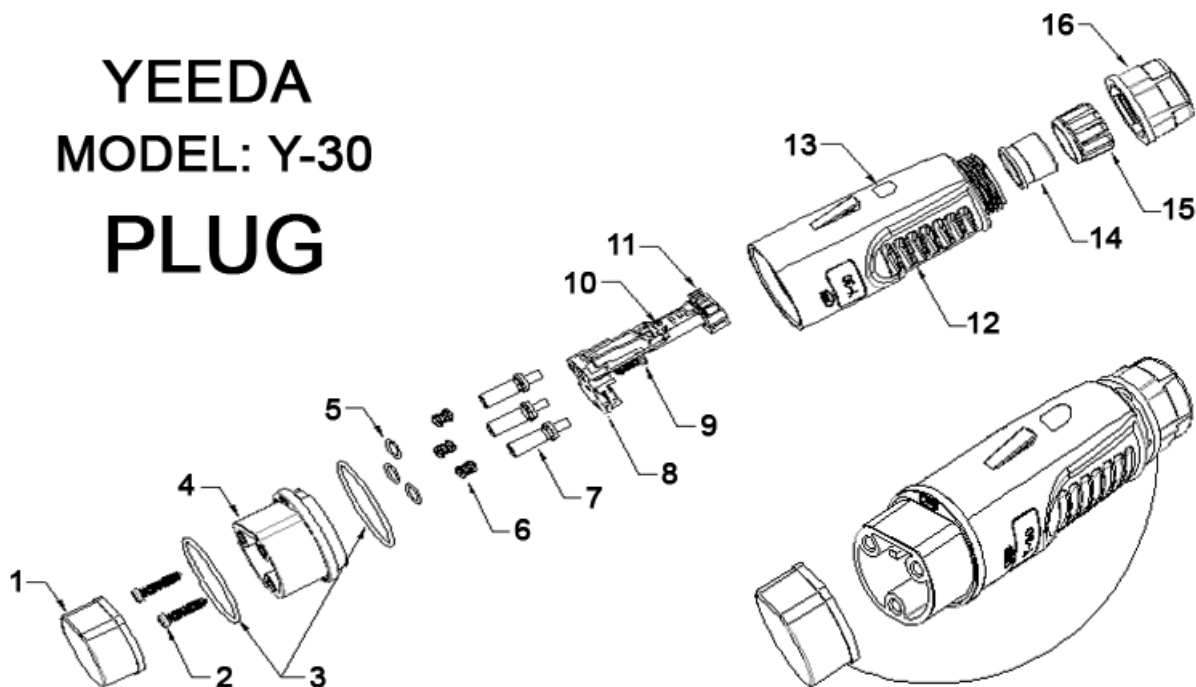
#### Overview:

Made with engineering level high-strength engineering plastic, YEEDA Y-30 power connectors offer excellent electrical performance, resistance to high / low temperature, anti-corrosion, suitable to harsh environment.

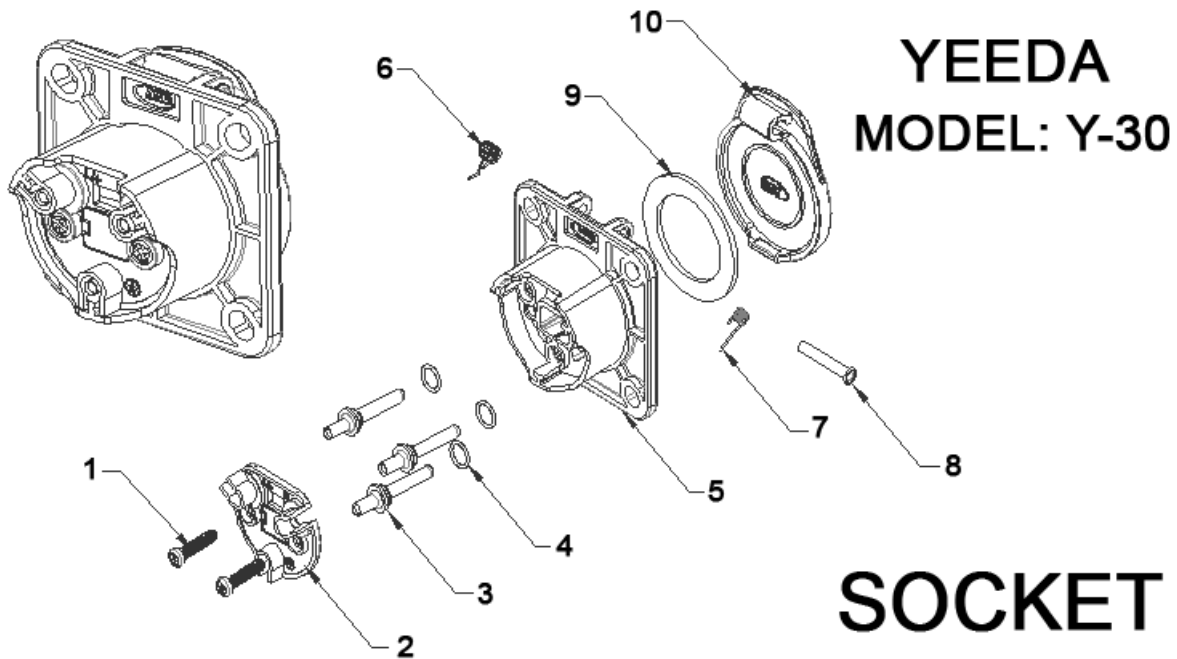
The ergonomic design of Y-30 facilitates the reliable, easy and safe operation of fast connection / disconnection.

Typical application: battery charger AC and DC power connector

#### Construction:



- |                         |                               |
|-------------------------|-------------------------------|
| 1. Cover                | 2. Screw                      |
| 3. Seal Ring            | 4. Plug Head                  |
| 5. Contact Seal Ring    | 6. Spring                     |
| 7. Contact Terminal     | 8. Press Block                |
| 9. Screw                | 10. Wire Clip & LED Indicator |
| 11. Clamp buckle        | 12. Handle                    |
| 13. LED Indicator Cover | 14. Wire Locker Rubber Head   |
| 15. Wire Locker         | 16. Wire Locker Screw Cover   |



- |                     |                      |
|---------------------|----------------------|
| 1. Screw            | 2. Press Block       |
| 3. Contact Terminal | 4. Contact Seal Ring |
| 5. Socket Body      | 6. Spring (right)    |
| 7. Spring (left)    | 8. Rivet             |
| 9. Seal Ring        | 10. Socket Cover     |

### Technical Features:

1. Operating temperature:  $-30^{\circ}\text{C} \sim +50^{\circ}\text{C}$
2. Rated current: 16A
3. Rated voltage:
  - a) AC: 110V AC / 220V AC
  - b) DC: 12V DC / 24V DC / 36V DC / 48V DC / 72V DC
4. Insertion force: 20N~80N (not secured state)
5. Electric life:  $\geq 10000$
6. Degree of protection: IP54
7. Wiring method: crimp
8. Insulation resistance:  $\geq 5\text{M}\Omega$
9. Contact resistance:  $\leq 0.5\text{m}\Omega$
10. High voltage: 2000V
11. Flammability rating: UL94-V0
12. Plug cover wire rope pull strength:  $\geq 100\text{N}$

### Dimensions:

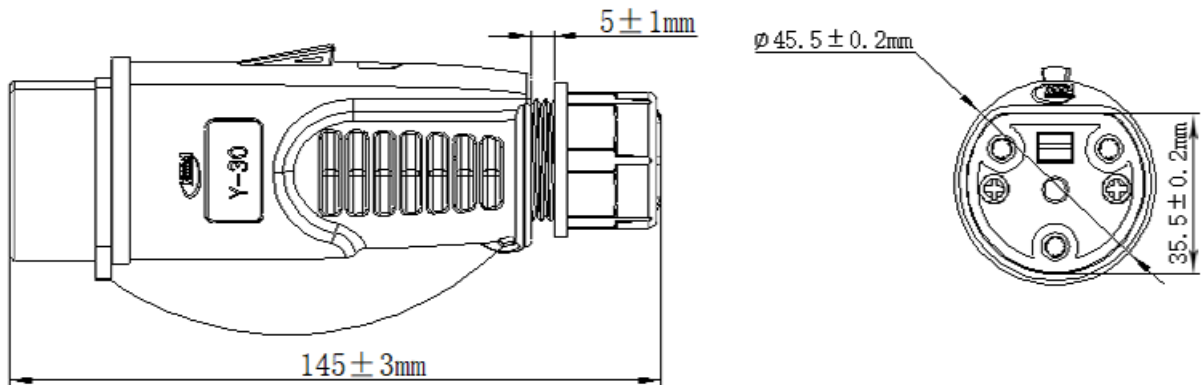


Figure 1 – Plug

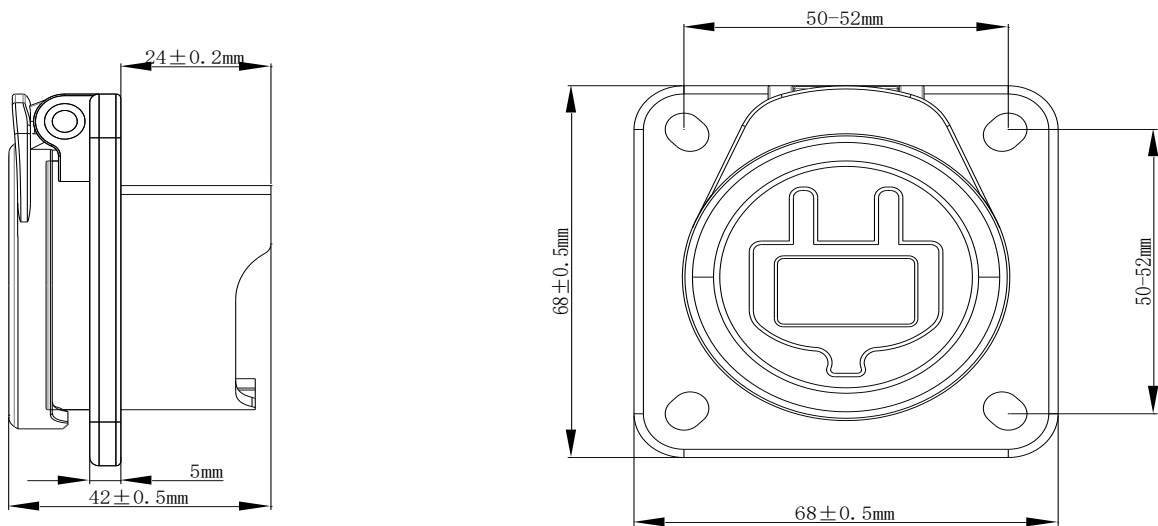


Figure 2 – Socket

NOCO SHOP



NOCO SHOP



**NOCO SHOP**

Website: <https://www.noco-evco.com/> - Email: [info@noco-evco.com](mailto:info@noco-evco.com)