

### DESCRIPTION

The Curtis throttle assembly provides an analog 0-5V output proportional to throttle position for interfacing with motor speed controllers.

### APPLICATION

This electronic throttle is ideal for use in material handling, golf cars, on-road and other electric vehicle applications which require a 0-5V input for speed control.

### FEATURES

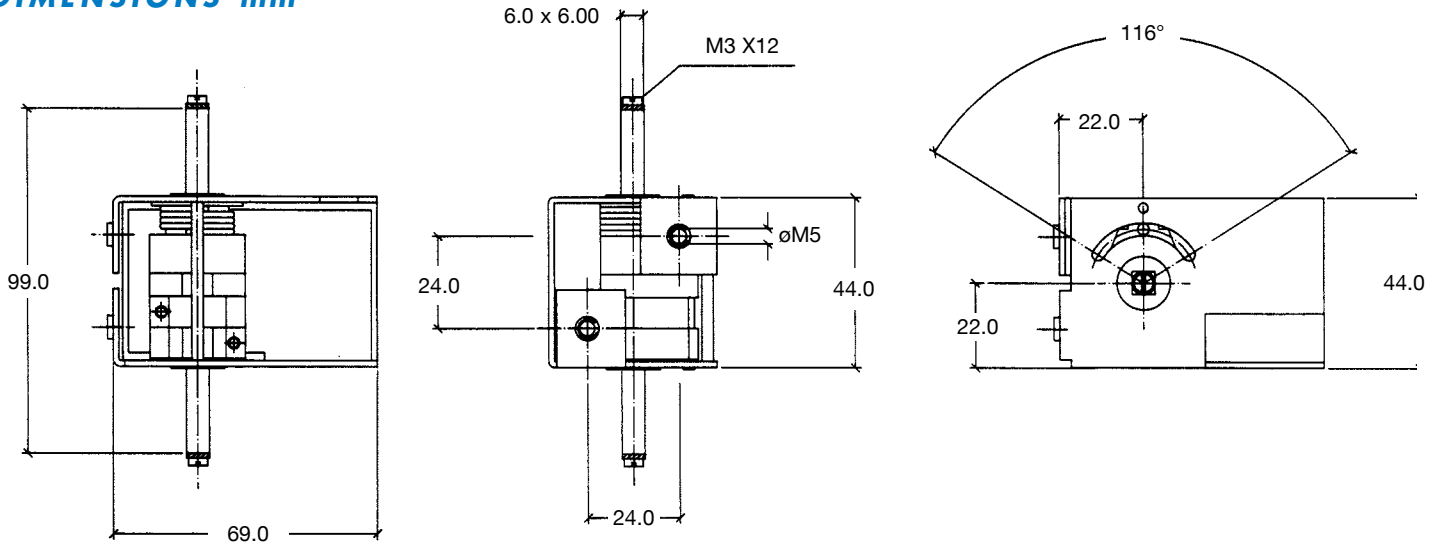
- Hall effect sensors and solid state MOSFET contactor drivers minimize moving parts, thereby increasing reliability and Mean Time Between Failure.
- Symmetrical throttle response in both forward and reverse directions ensures smooth, concise acceleration and deceleration in both directions.
- Minimal deadband areas at both zero and full throttle positions eliminates hesitation when beginning to accelerate or decelerate.
- Environmental protection of major components through an epoxy layer over the circuit board assures operation in harsh environmental conditions.
- Wig-wag type throttle returns the throttle to neutral for convenience and safety.
- Input polarity protection to ensure no damage occurs to the throttle if it is incorrectly wired.
- Easy to install.

### SPECIFICATIONS

- Operating voltage:  
13 – 58VDC
- Throttle output range:  
0 to 5 Volts
- Maximum throttle output:  
5.3 Volts
- Minimum throttle output:  
0 Volts
- Maximum deadband at zero throttle:  
10 degrees
- Maximum deadband at full throttle:  
10 degrees
- Forward/Reverse current:  
1.5 amp max
- Symmetrical throttle response in both directions

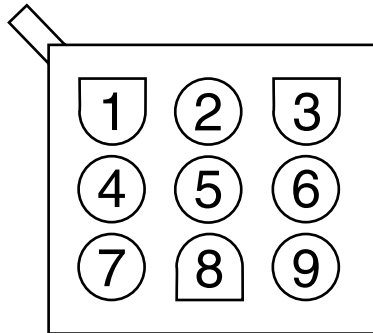
# MODEL ET-126

## DIMENSIONS mm



## INSTALLATION

Mounting: Two M5 screws



### ET-126 Throttle

|   |                     |
|---|---------------------|
| 1 | Pot Lo              |
| 2 | Battery + after KSI |
| 3 | Reverse             |
| 4 | Forward             |
| 5 | No connect          |
| 6 | No connect          |
| 7 | Battery -           |
| 8 | 0-5V output         |
| 9 | No connect          |

ET-126 Throttle  
 AMP Mate-N-Lock Connector  
 Female p/n: AMP 350720-1  
 With pins: 350561-1

**WARRANTY** Two year limited warranty from time of delivery.